

CG/DG Series Globe Valves – Submittal/Technical Data

Threaded Globe Valves 2-Way & 3-Way – 1/2" - 2"

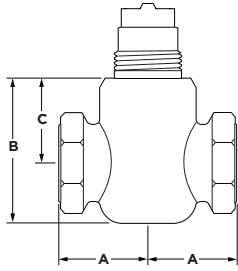
Technical Specifications - Threaded Globe Valve Body		CG Series	DG Series
Service	Chilled/Hot Water, 50/50 Glycol Solutions & Saturated Steam		
Size Range	1/2" - 1", 2-Way Normally Open**, 3-Way Mixing	1-1/4" - 2"***, 2-Way Normally Open**, 3-Way Universal Mixing or Diverting****	
Available Cv's	0.4 to 10 (See page CG/DG 6)		16 to 40 (See page CG/DG 6)
Media Temperature Range	Water/Steam – 35° to 250°F (2° to 120°C)	Water – 20°F to 250°F (-7°C to 120°C) Steam – 337°F (170°C) Maximum Stainless Steel Trim Only	
Max Inlet Temperature/Pressure	Water – 20°F (-7°C) @ 400 psi (2758 kPa) to 250°F (120°C) @ 365 psi (2517 kPa)		
	Steam – 15 psi (103 kPa) Stainless Steel Trim Only	Steam – 100 psi (689 kPa) Stainless Steel Trim Only	
Maximum Differential Pressure	Water – 25 psid (173 kPa) Brass Trim/50 PSID (345 kPa) Stainless Steel Trim		
	Steam – 15 psid (103 kPa) Stainless Steel Trim Only	Steam – 50 psid (345 kPa) Stainless Steel Trim Only	
Valve Body Pressure Rating	ANSI Class 250		
Maximum Close-Off Pressure	Refer to Close-Off Charts (See page CG/DG 6)		
Close-Off Ratings	According to ANSI/FCI 70-2		
Flow Characteristic	2-Way Valves - Equal Percentage* 3-Way Valves - A (Coil) = Equal Percentage, B (Bypass) = Linear		
Stem Lift	7/32" Stroke	3/4" Stroke	
Leakage Rate	Class IV (0.01% of Cv)		
Rangeability	Cv < 1 – > 50:1 Cv > 1 – > 100:1	> 100:1	
End Connections	Female NPT		
Materials	Body	1/2" & 3/4" C37700 Forged Brass 1" UNS CA 844 Bronze	UNS CA 844 Bronze
	Stem	Stainless Steel (ASTM A582 Type 303)	
	Globe	Water – Brass Steam – Stainless Steel	
	Packing	Ethylene propylene (EPDM) O-Ring	Brass Trim = EPDM Stainless Steel Trim = Teflon V-Ring/ EPDM -O-Ring
Certifications	CE, CRN - OC24303.5		
Warranty	5 Years limited from time of shipment.		

- Note -** * Linear flow characteristic available upon request. (DG Series only, with modulating actuators)
 ** Normally closed available upon request
 *** DG available in 1/2" to 1" for steam applications up to 100 (689 kPa) psi or 3-Way Diverting applications..
 **** When the valve is used for diverting applications, the max DP is restricted to 90% of the max DP that is specified for the valve when it is used in a mixing application

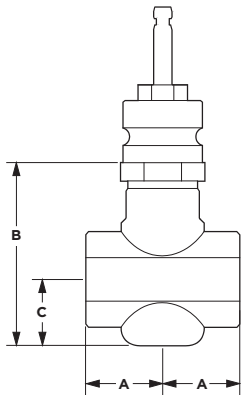
Disclaimer - The performance specifications are nominal and conform to acceptable industry standards. For application at conditions beyond these specifications, consult the local Bray office. Bray, Inc. shall not be liable for damages resulting from misapplication or misuse of its products.

CG/DG Series Globe Valves - Valve Dimensions

2-Way - Valve Dimensions

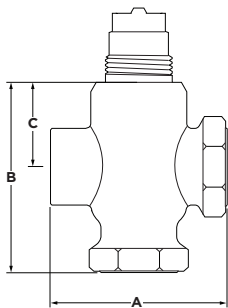


CG Series Dimensions							
Valve Model Number	Size		A	B	C	Weight	
	in.	mm				lb.	kg.
CG05-2-xxx	1/2	15	1-3/8 (35)	2-1/4 (57)	1-5/16 (33)	1.3	0.6
CG75-2-xxx	3/4	20	1-5/8 (41)	2-3/8 (59)	1-5/16 (33)	1.8	0.8
CG1-2-xxx	1	25	1-15/16 (49)	2-3/4 (69)	1-9/16 (39)	2.6	1.2

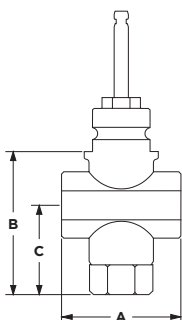


DG Series Dimensions							
Valve Model Number	Size		A	B	C	Weight	
	in.	mm				lb.	kg.
DG125-2-16	1-1/4	32	2-1/2 (62)	4-1/8 (104)	1-5/8 (40)	7	3.2
DG150-2-25	1-1/2	40	2-9/16 (65)	4-1/4 (109)	1-3/4 (44)	9	4.1
DG2-2-40	2	50	3-1/8 (79)	4-9/16 (116)	2 (51)	13	5.9

3-Way - Valve Dimensions



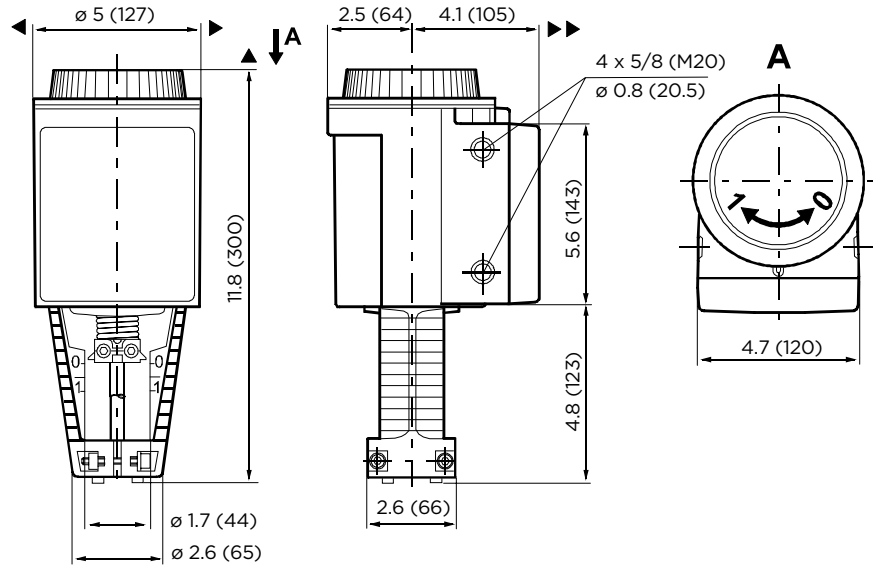
CG Series Dimensions							
Valve Model Number	Size		A	B	C	Weight	
	in.	mm				lb.	kg.
CG05-3-xxx	1/2	15	2-3/4 (70)	2-15/16 (74)	1-5/16 (33)	1.5	0.7
CG75-3-xxx	3/4	20	3-1/4 (83)	2-3/8 (59)	1-5/16 (33)	2.3	1.05
CG1-3-xxx	1	25	3-7/8 (98)	3-15/16 (99)	1-9/16 (39)	3.3	1.5



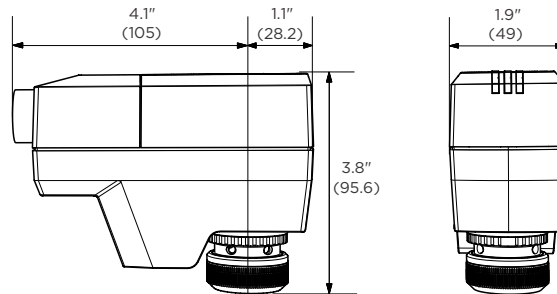
DG Series Dimensions							
Valve Model Number	Size		A	B	C	Weight	
	in.	mm				lb.	kg.
DG125-3-16	1-1/4	32	4-15/16 (125)	4-5/8 (116)	2-15/16 (74)	7	3.2
DG150-3-25	1-1/2	40	5-1/8 (130)	4-5/8 (117)	3 (76)	9	4.1
DG2-3-40	2	50	6-1/4 (158)	4-3/4 (121)	3-3/16 (81)	13	5.9

CG/DG Series Globe Valves - Actuator Dimensions

GA(M)(S)24-225 Series



GA(M)24-67 Series



CG/DG Series Globe Valves - Part Number Matrix

CG Prefix: CG Series Globe Valves - (1/2" to 1") DG Series Globe Valves - (1-1/4" to 2")		Valve Series
05	Valve Size (1/2" to 2")	Valve Size
2	Configuration - 2-Way or 3-Way	Configuration
004	CV	Cv
SS	SS = Stainless Steel	SS
C	C = Normally Closed	C
/		/
	GA24-67	Non-Fail Safe, 24 VAC, Floating
	GAM24-67	Non-Fail Safe, 24 VAC/DC, 0 to 10 VDC, Modulating
	GA24-67-FS	Fail Safe, 24 VAC, Floating
	GAM24-67-FS	Fail Safe, 24 VAC/DC, 0 to 10 VDC, Modulating
	GA24-225	Non-Spring Return, 24 VAC, Floating
	GAM24-225	Non-Spring Return, 24 VAC, 0 to 10 VDC/4-20mA, Modulating
	GAS24-225	Spring Return, 24 VAC, Floating
	GAMS24-225	Spring Return, 24 VAC, 0 to 10 VDC/4-20mA, Modulating
		Actuator Selection
CG 05 - 2 - 004 /	GA24-67	1/2" Globe Valve, 2-Way, Flow Coefficient Cv of 004, GA24-67 Actuator
		Example